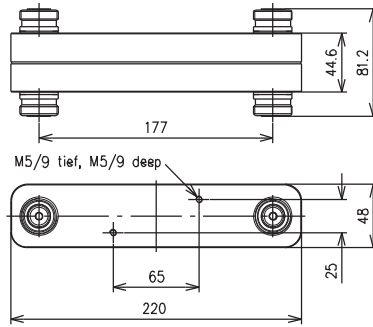
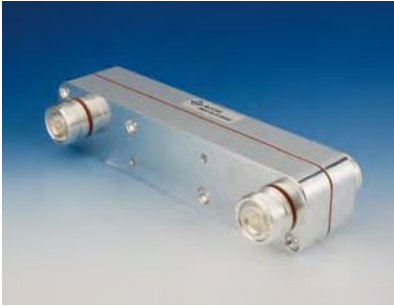


COAXIAL DIRECTIONAL COUPLER

Bestell-Nummer Part Number	BN 75 33 81	BN 75 33 82	BN 75 33 83	BN 75 33 86	BN 75 33 84	BN 75 33 85
Bauform Style	H					
Frequenzbereich Frequency range	330 ... 520 MHz					
Koppeldämpfung Coupling	3.0 ± 0.3 dB	6.0 ± 0.5 dB	10.0 ± 0.5 dB	20.0 ± 0.5 dB	30.0 ± 0.5 dB	50.0 ± 0.5 dB
Directivity	≥ 30 dB					
VSWR	≤ 1.06					
Anschlussleistung Power rating	≤ 1000 W					
Temperaturbereich Temperature range	-40 °C ... +70 °C					
Schutzgrad Degree of protection	IP65					
Anschlüsse (50 Ω) Connectors IEC 60169-4	7-16 Kuppler/Socket					
Gewicht Weight	ca./approx. 1.4 kg					

Bestell-Nummer Part Number	BN 75 33 52	BN 75 33 48	BN 75 33 49	BN 75 33 53	BN 75 33 54
Bauform Style	H				X
Frequenzbereich Frequency range	800 ... 2500 MHz				
Koppeldämpfung Coupling	3.0 ± 0.25 dB	6.0 ± 0.5 dB	10.0 ± 0.5 dB	30.0 ± 1.0 dB	3.0 ± 0.25 dB
Directivity (800 ... 2200 MHz) (>2200 ... 2500 MHz)	≥ 30 dB (800 ... 2500 MHz)	≥ 30 dB ≥ 27 dB		≥ 30 dB (800 ... 2500 MHz)	≥ 30 dB ≥ 28 dB
VSWR (800 ... 2200 MHz) (>2200 ... 2500 MHz)	≤ 1.06 (800 ... 2500 MHz)	≤ 1.08 ≤ 1.15	≤ 1.10 ≤ 1.20	≤ 1.06 (800 ... 2500 MHz)	≤ 1.06 ≤ 1.08
Anschlussleistung Power rating	≤ 1000 W				
Intermodulation (IM3) 2 x 20 W	≤ -160 dBc; typ. ≤ -165 dBc				
Temperaturbereich Temperature range	-40 °C ... +70 °C				
Schutzgrad Degree of protection	IP65				
Anschlüsse (50 Ω) Connectors IEC 60169-4	7-16 Kuppler/Socket				
Gewicht Weight	ca./approx. 1.2 kg				

COAXIAL DIRECTIONAL COUPLER

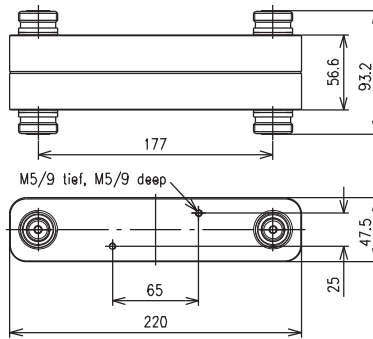


Bestell-Nummer / Part Number

BN 75 33 81

BN 75 33 82

BN 75 33 83

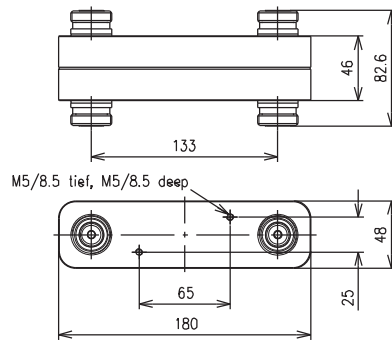


Bestell-Nummer / Part Number

BN 75 33 86

BN 75 33 84

BN 75 33 85



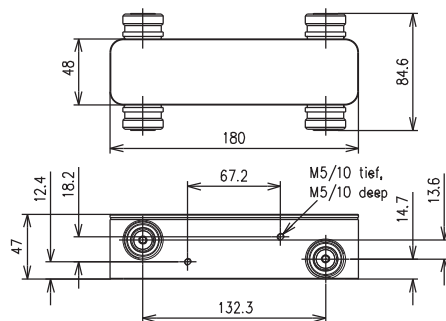
Bestell-Nummer / Part Number

BN 75 33 52

BN 75 33 48

BN 75 33 49

BN 75 33 53



Bestell-Nummer / Part Number

BN 75 33 54

COAXIAL DIRECTIONAL COUPLER

Hybridcombiner mit IM-armem Abschlußwiderstand ■ Hybrid combiner with low IM load

Bestell-Nummer Part Number	BN 57 30 45
Frequenzbereich Frequency range	800 ... 2170 MHz
Koppeldämpfung Coupling	3.0 ± 0.5 dB
Directivity	≥ 27 dB
VSWR	≤ 1.15
Anschlussleistung pro Eingang Power rating per input	≤ 100 W
Intermodulation (IM3) 2 x 20 W Eingänge/Inputs Ausgänge/Outputs	≤ -155 dBC; typ. -160 dBC ≤ -143 dBC; typ. -150 dBC
Temperaturbereich Temperature range	-40 °C ... +55 °C
Schutzgrad Degree of protection	IP65
Anschlüsse (50 Ω) Connectors IEC 60169-4	7-16 Kuppler/Socket
Gewicht Weight	ca./approx. 4.2 kg
Mast- / Wandhalterung Mast / Wall mounting bracket	Teil des Lieferumfangs part of delivery

