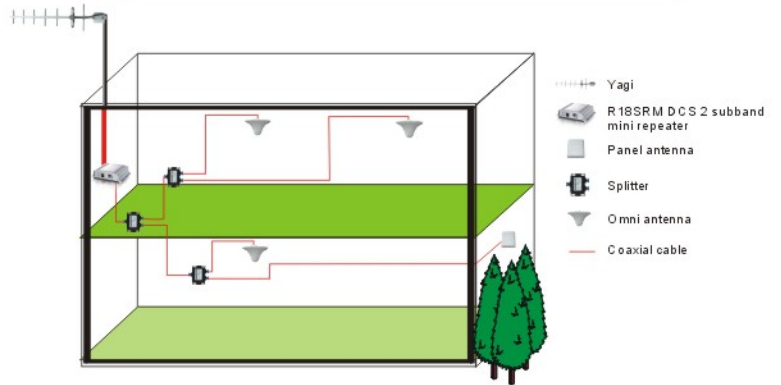




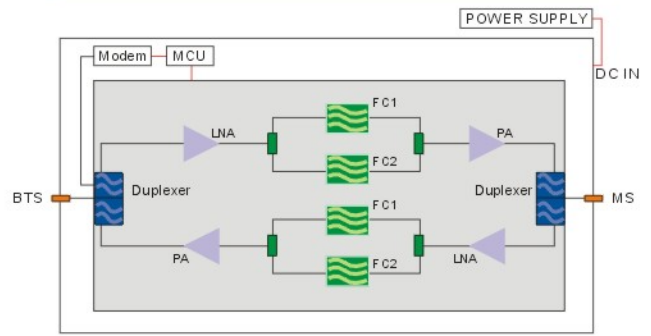
Application



Features

- ▶ CE and RoHS certificate
- ▶ One-step setup configuration
- ▶ Intelligent oscillation prevention
- ▶ Customized 2 subband selective function
- ▶ Support OMT local/remote control
- ▶ "AGC Link" technology to prevent interference
- ▶ Comprehensive LCD display

Block Diagram



Specifications

R18SRM-DCS-DB		Uplink	Downlink
Frequency Range		1710 ~ 1785 MHz	1805 ~ 1880 MHz
Bandwidth (-3 dB)		2 subband, various bandwidth is available upon request	
Maximum Gain		≧ 65 dB	
Manual Gain Control		31 dB @ 1 dB/ step	
Auto Gain Control		≧ 20 dB	
Gain Flatness		≧ 4 dB (p-p)	
Total Output Power		≧ 15 dBm/ total output power ≧ 12 dBm/ Ch @ 2 Channels	
Out of Band Gain	±400 KHz	< 50 dB	
	±600 KHz	< 40 dB	
	±1 MHz	< 35 dB	
	±5 MHz	< 25 dB	
Intermodulation Products & Spurious Emission		≧ -36 dBm (9 KHz~1 GHz) ≧ -30 dBm (1 GHz~12.75 GHz)	
Noise Figure		≧ 6 dB typical	
Return Loss		≧ -10 dB	
Group Delay		≧ 4.5 □s	
RF Connector		N-Female	
Impedance		50 □	
AC Adaptor		Input: AC 100~240V; Output: DC 9V/ 5.5A	
Dimensions		260 x 200 x 85 mm	
Weight		≧ 3.5 kg	
Operating Temperature		-10 ~ 50 °C	
Control & Monitoring	Local	Via RS232	
	Remote	Via DCS Modem (optional)	

* Technical spec subject to change without notice.